

VENTINOX[®]

Chimney Lining System

Trusted in thousands of American homes since 1982, VENTINOX[®] features the only WELDED design and is precision engineered.

The only time tested flexible stainless steel chimney liner, VENTINOX[®] provides safe, reliable venting for gas, oil and wood.

Available in
3" through 12"
Diameters
Featuring pop-rivet
free components.



PTS **PROTECH SYSTEMS, INC.**
LEADERS IN VENTING TECHNOLOGY



©2006

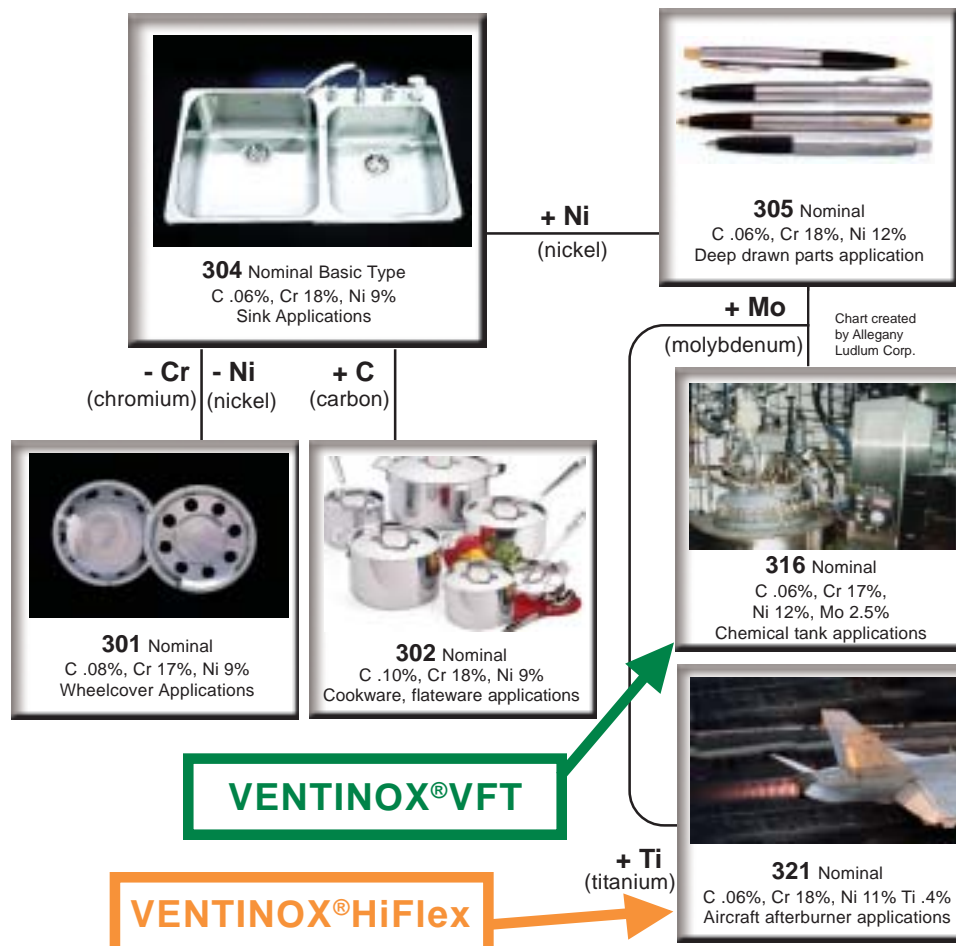
VENTINOX® super alloys consistently outperform aluminum and commonly available stainless steel liners in corrosive environments.

Designing a lining system is a difficult task that requires hard choices, relating directly to product reliability, longevity and ultimately, the sense of security a good system provides to the homeowner. We'd like you to take a look at our criteria for making these choices.

Material Selection

Selecting the right stainless steel is one of the most fundamental of design considerations. The steel alloy must prove long term corrosion resistance when exposed to the often aggressive environments created during the combustion and venting processes of various fuels. All other features of a chimney lining system hinge on the correct raw material composition.

Careful consideration for both metal selection and material thickness makes VENTINOX® the top choice for ensuring ease of installation, safety and reliability.



VENTINOX® liners are made from the right materials and welded, not just interlocked or crimped. They do not tear or pull apart during installations. Corrosive condensates cannot settle between seam layers to corrode and destroy the liner.

VENTINOX®VFT

Titanium stabilized, Type 316Ti stainless steel is used to manufacture VENTINOX®VFT. This alloy can withstand the high temperatures associated with solid fuel combustion; the corrosive elements typical in gas vents and the sulfuric acid exposure in oil applications. 316Ti exhibits good pitting resistance and is typically utilized in pressure vessels and chemical storage tanks. VENTINOX®VFT, UL listed for all fuels, is a very good overall choice for wood, gas and coal. It is the best choice for venting oil fired equipment.

VENTINOX®HiFlex

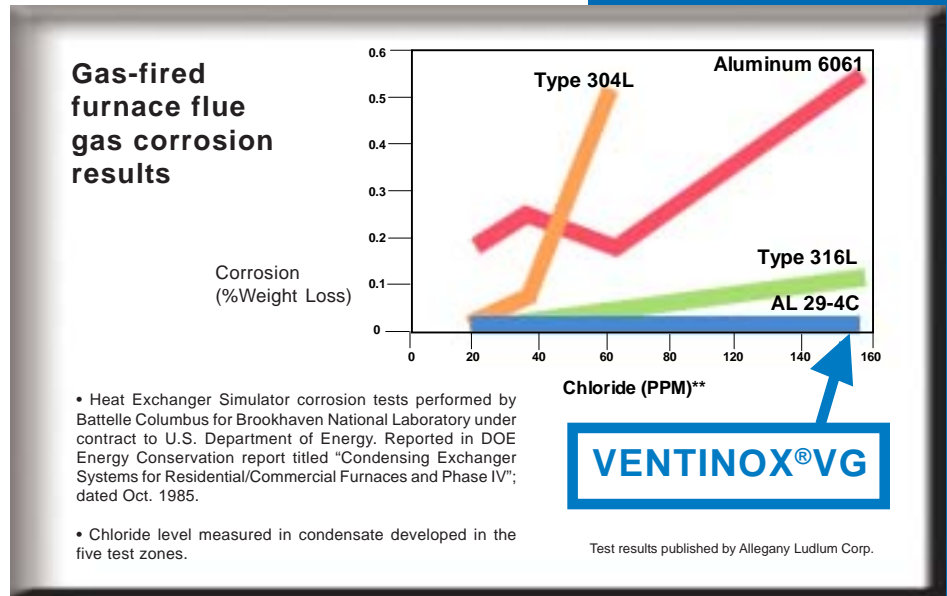
Our decision for using titanium stabilized, Type 321 stainless steel to produce VENTINOX®HiFlex is based on conditions typically found in chimneys that vent fireplaces, pellet stoves or other solid fuel burning appliances, where chimney fires can create extreme temperatures and physical stress conditions. Type 321ss can withstand such severe heat exposure, while resisting intergranular corrosion and maintaining its physical strength. Typically used in aircraft afterburners, this titanium stabilized alloy is unmatched in the industry and has been successfully used to produce VENTINOX® since 1982.

Research applied in designing our products has earned us the trust of Chimney Professionals.

Unmatched Value For All Fuels

VENTINOX®VG

The ultimate choice for venting gas heating equipment, VENTINOX®VG is made from Type AL29-4C® (S44735) stainless steel. This superferritic alloy can withstand the highly corrosive condensates (hydrochloric acid) formed in gas flues. AL29-4C exhibits extreme resistance to chloride pitting, crevice corrosion, stress corrosion and cracking. Therefore, this steel is typically used in power plant condensers and secondary heat exchangers. Introduced in 1986, VENTINOX®VG serves in thousands of American homes today and has established a track record second to none.



Mechanical Considerations

Its unique continuous weld construction renders VENTINOX® air and water tight while providing superior strength and excellent flexibility. VENTINOX® continuously welded stainless steel strip acts as a backbone and produces a lightweight liner 20% stronger than its competitors. FasClamp components make for a professional installation by eliminating pop rivets and the need for pre-drilling liners. The result is a penetration free connection from the heat source to the outside of the home.

Here are some of the issues that are addressed by the manufacturing processes used to make VENTINOX® liners:

EXPANSION: Since steel expands when exposed to heat, care needs to be taken to give it a shape that does not create stress within the system after it has been installed in a chimney. VENTINOX® absorbs any expansion in its corrugations and does not twist or grow in length. Therefore, Tee sections don't become deformed and VENTINOX® can be mortared-in solid at the chimney top. This creates a long lasting, watertight seal.

LINER TIGHTNESS: This is important for two reasons: first, to keep water vapors and other by-products of combustion within the liner at all times and second, to keep air (oxygen) out during a chimney fire. VENTINOX® liners are continuously welded to form an airtight conduit from the appliance to the chimney top.

LINER STRENGTH: Liners are used in a construction environment. They must be strong enough to take some abuse. By forming the optimum thickness steel strip into specially designed corrugations and then welding it, a solid backbone is created over the entire length of a liner.

VENTINOX® resists crushing and tearing.

LINER WEIGHT: Heavier is not better. Excess weight is only a nuisance during installations, or when the extra weight has negative effects on a chimney structure. The lighter weight of VENTINOX® is possible due to BOA's special manufacturing process. All other design criteria can be met without adding extra weight.



Multi directional expansion and contraction during heating cycles are absorbed without creating stresses within the system.
Unmatched Value For All Fuels

VENTINOX® Chimney Lining Systems

Precision-engineering and a unique design
provide unsurpassed quality.

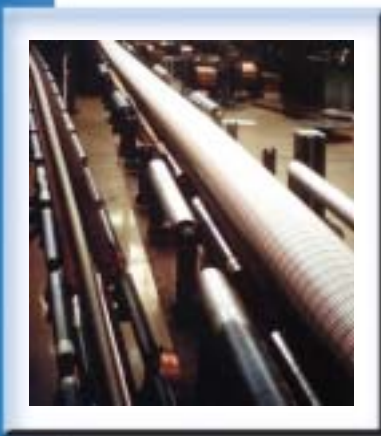
FEATURES



Precision-engineered spiral corrugations and the continuous VENTINOX® weld provide strength and flexibility.



Made by a reputable manufacturer, VENTINOX® is tested and listed by Underwriters Laboratories to UL1777 at Zero Clearance to Combustibles and backed by a lifetime warranty. Proudly made in the U.S. since 1979.



BENEFITS

Unique continuous-weld construction creates a one-piece seamless flue, impervious to flue gases & condensates.



VENTINOX® is remarkably stable and will not warp or buckle in extreme heat. VENTINOX® maintains its shape and keeps on working, even after a chimney fire.

Unlike any other liner, VENTINOX® absorbs multi-directional expansion within its corrugations, making costly expansion joints unnecessary.

The corrugations eliminate heating and cooling stresses that can drastically shorten the life expectancy of other liners.

VENTINOX® has proven to be safe and effective in thousands of American homes and under many operating conditions created by wood, gas and oil-fired heating equipment.

VENTINOX® is recognized and approved by home-heating experts and building code officials for upgrading existing masonry chimneys.

Independent laboratories regularly inspect our VENTINOX® manufacturing processes and raw material certificates to verify consistent product quality and uniform reliability.

VENTINOX® has provided piece of mind to professional installers and their customers for over 20 years.

Carbon monoxide and other noxious by-products of combustion are kept safely within the flue.

The chimney structure is protected from damage caused by flue deposits and corrosive moisture — the “acid smut” that weakens, destroys and stains chimneys from the inside out.

VENTINOX® prevents air and moisture infiltration into the flue and helps create a stronger chimney draft.

VENTINOX® eliminates condensate leakage through cleanout doors and wall thimbles.

VENTINOX® bends sharply to fit around obstructions & offsets in the flue, without compromising durability or operating performance.

Unlike other liners, VENTINOX® can be shaped and ovalized without kinking, breaking, or losing its gas-tightness.

American BOA has a continuous history of over 90 years in the development of flexible products to all industry segments. ABI started production of VENTINOX® liners in 1979.

Engineering Excellence As part of the IWKA global enterprise, American BOA accesses shared engineering “know-how” and manufacturing technology.

American BOA and the IWKA companies are highly committed to being the best global flexible products supplier. Strong leadership and financial stability insure customer success and satisfaction.

VENTINOX® Boxed Liner and Kits

Diameter	Vent Length	Product Number	Part Number
3	25	316013	VFT-3K25
4	25	316014	VFT-4K25
5	25	316015	VFT-5K25
5.5	25	316019	VFT-5.5K25
6	25	316016	VFT-6K25
7	25	316017	VFT-7K25
8	25	316018	VFT-8K25
3	35	316133	VFT-3K35
4	35	316134	VFT-4K35
5	35	316135	VFT-5K35
5.5	35	316129	VFT-5.5K35
6	35	316136	VFT-6K35
7	35	316137	VFT-7K35
8	35	316138	VFT-8K35

VENTINOX®VFT
Boxed Liner Kit Includes:
Liner, Top Plate
Rain Cap w/Storm Collar



Diameter	Vent Length	Product Number	Part Number
3	25	316160	VFT-3K25TC
4	25	316161	VFT-4K25TC
5	25	316162	VFT-5K25TC
5.5	25	316172	VFT-5.5K25TC
6	25	316163	VFT-6K25TC
7	25	316164	VFT-7K25TC
8	25	316165	VFT-8K25TC
3	35	316166	VFT-3K35TC
4	35	316167	VFT-4K35TC
5	35	316168	VFT-5K35TC
5.5	35	316173	VFT-5.5K35TC
6	35	316169	VFT-6K35TC
7	35	316170	VFT-7K35TC
8	35	316171	VFT-8K35TC

VENTINOX®VFT
Boxed Liner Kit Includes:
Liner, Top Plate
Rain Cap w/Storm Collar
Tee with removable
snout and Tee Cap



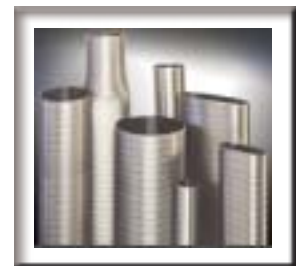
Diameter	Vent Length	Product Number	Part Number
3	25	316093	VFT B-3 25
4	25	316094	VFT B-4 25
5	25	316095	VFT B-5 25
5.5	25	316099	VFT B-5.5 25
6	25	316096	VFT B-6 25
7	25	316121	VFT B-7 25
8	25	316122	VFT B-8 25
3	35	316123	VFT B-3 35
4	35	316124	VFT B-4 35
5	35	316125	VFT B-5 35
5.5	35	316100	VFT B-5.5 35
6	35	316126	VFT B-6 35
7	35	316127	VFT B-7 35
8	35	316128	VFT B-8 35

Boxed Liner Only In
VENTINOX®VFT



Diameter	Vent Length	Product Number	Part Number
3	25	010160	VFL B-3 25
4	25	010161	VFL B-4 25
5	25	010162	VFL B-5 25
6	25	010163	VFL B-6 25
7	25	010164	VFL B-7 25
8	25	010165	VFL B-8 25
3	35	010166	VFL B-3 35
4	35	010167	VFL B-4 35
5	35	010168	VFL B-5 35
6	35	010169	VFL B-6 35
7	35	010170	VFL B-7 35
8	35	010171	VFL B-8 35

Boxed Liner Only In
VENTINOX®VFL



VENTINOX®VFT
5 ft. and 10 ft. Extension

VENTINOX® per foot/bulk round or ovalized

Dia.	Product Number	Part Number
3	316003	VFT-3
4	316004	VFT-4
5	316005	VFT-5
5.5	316113	VFT-5.5
6	316006	VFT-6
7	316007	VFT-7
8	316008	VFT-8
9*	316009	VFT-9
10*	316010	VFT-10
11*	316011	VFT-11
12*	316012	VFT-12

Dia.	Product Number	Part Number
3	010503	VFL-HC-3
4	010504	VFL-HC-4
5	010505	VFL-HC-5
6	010506	VFL-HC-6
7	010507	VFL-HC-7
8	010508	VFL-HC-8
9*	010509	VFL-HC-9
10*	010510	VFL-HC-10
11*	010511	VFL-HC-11
12*	010512	VFL-HC-12

Dia.	Product Number	Part Number
3	010603	VG-3
4	010604	VG-4
5	010605	VG-5
6	010606	VG-6
7	010607	VG-7
8	010608	VG-8
9*	010609	VG-9
10*	010610	VG-10
11*	010611	VG-11
12*	010612	VG-12

* comes in 10' or 20' lengths, use coupler to join

Diameter	Vent Length	Product Number	Part Number
3	5	316023	VFT-3EXT 5
4	5	316024	VFT-4EXT 5
5	5	316025	VFT-5EXT 5
5.5	5	316029	VFT-5.5EXT 5
6	5	316026	VFT-6EXT 5
7	5	316027	VFT-7EXT 5
8	5	316028	VFT-8EXT 5
3	10	316113	VFT-3EXT 10
4	10	316114	VFT-4EXT 10
5	10	316115	VFT-5EXT 10
5.5	10	316119	VFT-5.5EXT 10
6	10	316116	VFT-6EXT 10
7	10	316117	VFT-7EXT 10
8	10	316118	VFT-8EXT 10

VENTINOX® VFT 316 SS
 VENTINOX® HiFiEx 321 SS
 VENTINOX® VG AL29-4C

VENTINOX® VFT

VENTINOX® VFT Coupler				
*A	B	C	Product Number	Part Number
3	4.5		316063	VCP VFT-3
4	4.5		316064	VCP VFT-4
5	4.5		316065	VCP VFT-5
5.5	4.5		316174	VCP VFT-5.5
6	4.5		316066	VCP VFT-6
7	4.5		316067	VCP VFT-7
8	4.5		316068	VCP VFT-8
9	4.5		316069	VCP VFT-9
10	4.5		316070	VCP VFT-10
11	4.5		316071	VCP VFT-11
12	4.5		316072	VCP VFT-12

VENTINOX® VFT 45 Degree Adjustable Elbow				
*A	B	C	Product Number	Part Number
3			316073	VEL45 VFT-3
4			316074	VEL45 VFT-4
5			316075	VEL45 VFT-5
5.5			316175	VEL45 VFT-5.5
6			316076	VEL45 VFT-6
7			316077	VEL45 VFT-7
8			316078	VEL45 VFT-8
9			316079	VEL45 VFT-9
10			316080	VEL45 VFT-10
11			316081	VEL45 VFT-11
12			316082	VEL45 VFT-12

VENTINOX® VFT 90 Degree Adjustable Elbow				
*A	B	C	Product Number	Part Number
3			316083	VEL90 VFT-3
4			316084	VEL90 VFT-4
5			316085	VEL90 VFT-5
5.5			316176	VEL90 VFT-5.5
6			316086	VEL90 VFT-6
7			316087	VEL90 VFT-7
8			316088	VEL90 VFT-8
9			316089	VEL90 VFT-9
10			316090	VEL90 VFT-10
11			316091	VEL90 VFT-11
12			316092	VEL90 VFT-12

VENTINOX® HiFlex

VENTINOX® VFL Coupler				
*A	B	C	Product Number	Part Number
3	4.5		010061	VCP-3
4	4.5		010062	VCP-4
5	4.5		010063	VCP-5
6	4.5		010064	VCP-6
7	4.5		010065	VCP-7
8	4.5		010066	VCP-8
9	4.5		010067	VCP-9
10	4.5		010068	VCP-10
11	4.5		010069	VCP-11
12	4.5		010070	VCP-12

VENTINOX® VFL 45 Degree Adjustable Elbow				
*A	B	C	Product Number	Part Number
3			010081	VEL45-3
4			010082	VEL45-4
5			010083	VEL45-5
6			010084	VEL45-6
7			010085	VEL45-7
8			010086	VEL45-8
9			010087	VEL45-9
10			010088	VEL45-10
11			010089	VEL45-11
12			010090	VEL45-12

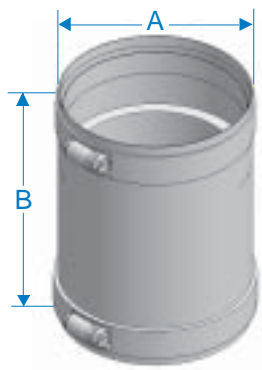
VENTINOX® VFL 90 Degree Adjustable Elbow				
*A	B	C	Product Number	Part Number
3			010101	VEL90-3
4			010102	VEL90-4
5			010103	VEL90-5
6			010104	VEL90-6
7			010105	VEL90-7
8			010106	VEL90-8
9			010107	VEL90-9
10			010108	VEL90-10
11			010109	VEL90-11
12			010110	VEL90-12

VENTINOX® VG

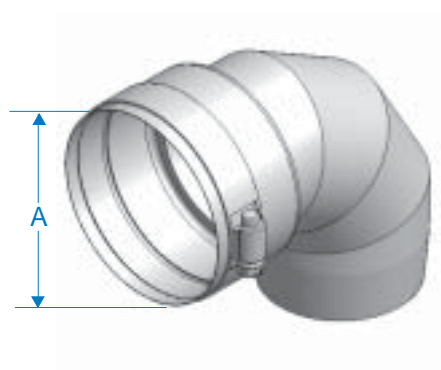
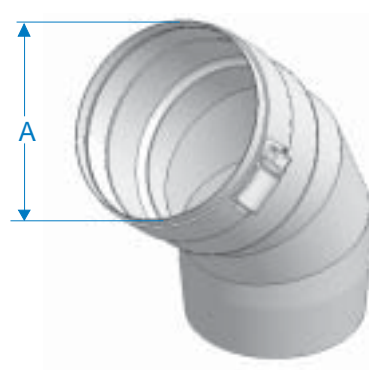
VENTINOX® VG Coupler				
*A	B	C	Product Number	Part Number
3	4.5		010356	VCP VG-3
4	4.5		010357	VCP VG-4
5	4.5		010358	VCP VG-5
6	4.5		010359	VCP VG-6
7	4.5		010360	VCP VG-7
8	4.5		010361	VCP VG-8
9	4.5		010362	VCP VG-9
10	4.5		010363	VCP VG-10
11	4.5		010364	VCP VG-11
12	4.5		010365	VCP VG-12

VENTINOX® VG 45 Degree Adjustable Elbow				
*A	B	C	Product Number	Part Number
3			010376	VEL45 VG-3
4			010377	VEL45 VG-4
5			010378	VEL45 VG-5
6			010379	VEL45 VG-6
7			010380	VEL45 VG-7
8			010381	VEL45 VG-8
9			010382	VEL45 VG-9
10			010383	VEL45 VG-10
11			010384	VEL45 VG-11
12			010385	VEL45 VG-12

VENTINOX® VG 90 Degree Adjustable Elbow				
*A	B	C	Product Number	Part Number
3			010396	VEL90 VG-3
4			010397	VEL90 VG-4
5			010398	VEL90 VG-5
6			010399	VEL90 VG-6
7			010400	VEL90 VG-7
8			010401	VEL90 VG-8
9			010402	VEL90 VG-9
10			010403	VEL90 VG-10
11			010404	VEL90 VG-11
12			010405	VEL90 VG-12



Provides a drip free connection between two pieces of VENTINOX®



* Vent Diameter

VENTINOX® VFT Sleeve				
*A	B	C	Product Number	Part Number
3	4.5		316053	VSL VFT-3
4	4.5		316054	VSL VFT-4
5	4.5		316055	VSL VFT-5
5.5	4.5		316177	VSL VFT-5.5
6	4.5		316056	VSL VFT-6
7	4.5		316057	VSL VFT-7
8	4.5		316058	VSL VFT-8
9	4.5		316059	VSL VFT-9
10	4.5		316060	VSL VFT-10
11	4.5		316061	VSL VFT-11
12	4.5		316062	VSL VFT-12

VENTINOX® VFT Tee with Removable Snout				
*A	B	C	Product Number	Part Number
3	9.0	8.0	316033	VTE VFT-3
4	10.0	8.0	316034	VTE VFT-4
5	10.5	8.0	316035	VTE VFT-5
5.5	12.0	8.0	316178	VTE VFT-5.5
6	12.0	8.0	316036	VTE VFT-6
7	13.5	8.0	316037	VTE VFT-7
8	14.5	8.0	316038	VTE VFT-8
9	15.5	8.0	316039	VTE VFT-9
10	16.5	8.0	316040	VTE VFT-10
11	17.5	8.0	316041	VTE VFT-11
12	18.0	8.0	316042	VTE VFT-12

VENTINOX® VFT Tee Cover				
*A	B	C	Product Number	Part Number
3	2.0		316043	VTC VFT-3
4	2.0		316044	VTC VFT-4
5	2.0		316045	VTC VFT-5
5.5	2.0		316179	VTC VFT-5.5
6	2.0		316046	VTC VFT-6
7	2.0		316047	VTC VFT-7
8	2.0		316048	VTC VFT-8
9	2.0		316049	VTC VFT-9
10	2.0		316050	VTC VFT-10
11	2.0		316051	VTC VFT-11
12	2.0		316052	VTC VFT-12

VENTINOX® VFL Sleeve				
*A	B	C	Product Number	Part Number
3	4.5		010041	VSL-3
4	4.5		010042	VSL-4
5	4.5		010043	VSL-5
6	4.5		010044	VSL-6
7	4.5		010045	VSL-7
8	4.5		010046	VSL-8
9	4.5		010047	VSL-9
10	4.5		010048	VSL-10
11	4.5		010049	VSL-11
12	4.5		010050	VSL-12

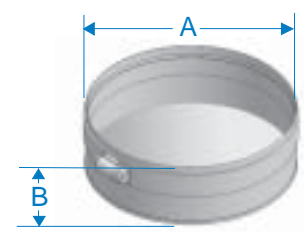
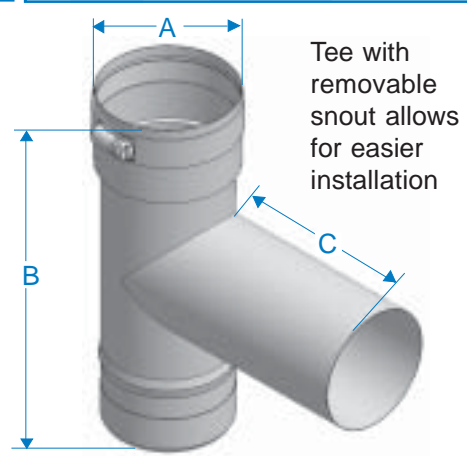
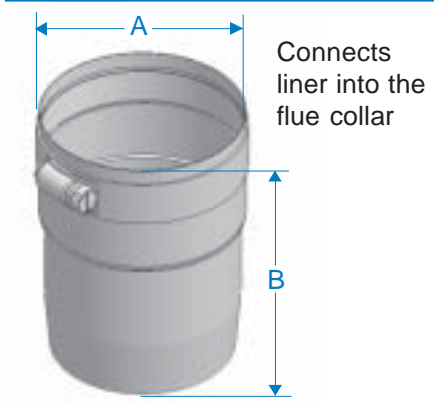
VENTINOX® VFL Tee with Removable Snout				
*A	B	C	Product Number	Part Number
3	9.0	8.0	010001	VTE-3
4	10.0	8.0	010002	VTE-4
5	10.5	8.0	010003	VTE-5
6	12.0	8.0	010004	VTE-6
7	13.5	8.0	010005	VTE-7
8	14.5	8.0	010006	VTE-8
9	15.5	8.0	010007	VTE-9
10	16.5	8.0	010008	VTE-10
11	17.5	8.0	010009	VTE-11
12	18.0	8.0	010010	VTE-12

VENTINOX® VFL Tee Cover				
*A	B	C	Product Number	Part Number
3	2.0		010021	VTC-3
4	2.0		010022	VTC-4
5	2.0		010023	VTC-5
6	2.0		010024	VTC-6
7	2.0		010025	VTC-7
8	2.0		010026	VTC-8
9	2.0		010027	VTC-9
10	2.0		010028	VTC-10
11	2.0		010029	VTC-11
12	2.0		010030	VTC-12

VENTINOX® VG Sleeve				
*A	B	C	Product Number	Part Number
3	4.5		010336	VSL VG-3
4	4.5		010337	VSL VG-4
5	4.5		010338	VSL VG-5
6	4.5		010339	VSL VG-6
7	4.5		010340	VSL VG-7
8	4.5		010341	VSL VG-8
9	4.5		010342	VSL VG-9
10	4.5		010343	VSL VG-10
11	4.5		010344	VSL VG-11
12	4.5		010345	VSL VG-12

VENTINOX® VG Tee with Removable Snout				
*A	B	C	Product Number	Part Number
3	9.0	8.0	010296	VTE VG-3
4	10.0	8.0	010297	VTE VG-4
5	10.5	8.0	010298	VTE VG-5
6	12.0	8.0	010299	VTE VG-6
7	13.5	8.0	010300	VTE VG-7
8	14.5	8.0	010301	VTE VG-8
9	15.5	8.0	010302	VTE VG-9
10	16.5	8.0	010303	VTE VG-10
11	17.5	8.0	010304	VTE VG-11
12	18.0	8.0	010305	VTE VG-12

VENTINOX® VG Tee Cover				
*A	B	C	Product Number	Part Number
3	2.0		010316	VTC VG-3
4	2.0		010317	VTC VG-4
5	2.0		010318	VTC VG-5
6	2.0		010319	VTC VG-6
7	2.0		010320	VTC VG-7
8	2.0		010321	VTC VG-8
9	2.0		010322	VTC VG-9
10	2.0		010323	VTC VG-10
11	2.0		010324	VTC VG-11
12	2.0		010325	VTC VG-12



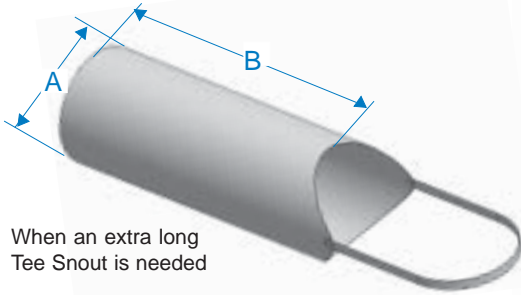
* Vent Diameter

FasClamp Components eliminate the need for pre-drilling VENTINOX® liners and the use of pop rivets. This allows for a penetration free connection from the heat source to the outside of the home.

VENTINOX® Components

VENTINOX® Long Tee Snout

A	B	C	Product Number	Part Number
3	18.0		316143	VEX-VFT-3
4	18.0		316144	VEX-VFT-4
5	18.0		316145	VEX-VFT-5
6	18.0		316146	VEX-VFT-6
7	18.0		316147	VEX-VFT-7
8	18.0		316148	VEX-VFT-8
9	18.0		316149	VEX-VFT-9
10	18.0		316150	VEX-VFT-10
11	18.0		316151	VEX-VFT-11
12	18.0		316152	VEX-VFT-12

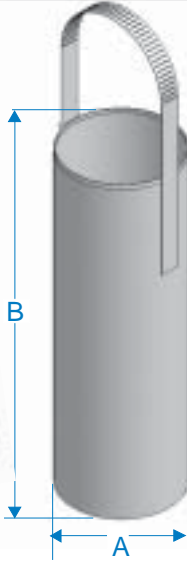


When an extra long Tee Snout is needed

FasClamp Components eliminate the need for pre-drilling VENTINOX® liners and the use of pop rivets. This allows for a penetration free connection from the heat source to the outside of the home.

VENTINOX® Universal Take Off

A	B	C	Product Number	Part Number
3	9.0		010416	VTO-VG-3
4	9.0		010417	VTO-VG-4
5	9.0		010418	VTO-VG-5
6	9.0		010419	VTO-VG-6



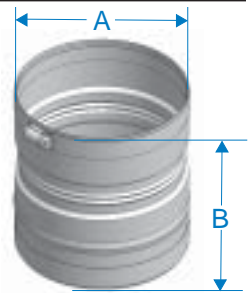
Universal Take-off allows for connecting additional heaters anywhere into a VENTINOX® liner



VENTINOX® Swivel Tee Adapter

*A	B	C	Product Number	Part Number
5	6.5		316139	VTSW-VFT-5
6	6.5		316140	VTSW-VFT-6
7	6.5		316141	VTSW-VFT-7
8	6.5		316142	VTSW-VFT-8

Attaching the Swivel Adaptor to the Tee Body, the installer can reach through the Thimble and turn the Tee Body ONLY, without having to rotate the entire liner within the chimney.

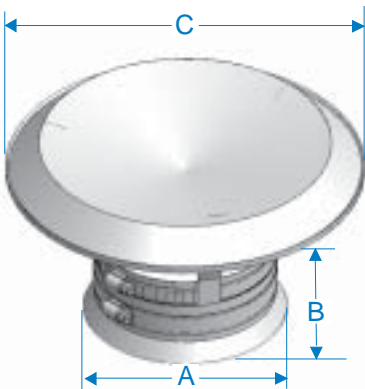


VENTINOX® Increaser/Reducer

Vent dia. to	Product Number	Part Number
Vent dia.		
6-5	010427	VGIR 6-5
7-8	010428	VGIR 7-8
9-8	010429	VGIR 9-8
7-6	010430	VGIR 7-6

VENTINOX® Rain Cap w/Storm Collar

*A	B	C	Product Number	Part Number
3	6.0	7.6	010136	VRC-3
4	6.0	8.6	010137	VRC-4
5	6.5	9.6	010138	VRC-5
5.5	7.0	11.6	010146	VRC-5.5
6	6.5	11.6	010139	VRC-6
7	6.5	14.6	010140	VRC-7
8	6.5	15.6	010141	VRC-8
9	8.0	16.6	010142	VRC-9
10	8.0	18.6	010143	VRC-10
11	8.0	19.6	010144	VRC-11
12	8.0	20.6	010145	VRC-12

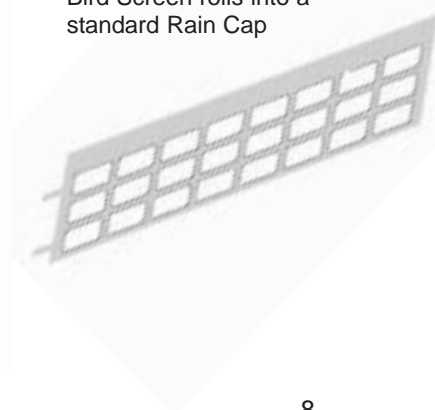


* Vent Diameter

VENTINOX® Bird Screen

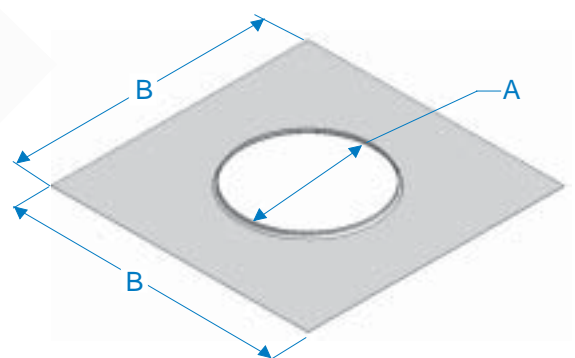
A	B	C	Product Number	Part Number
3			010246	VRC-BS-3
4			010247	VRC-BS-4
5			010248	VRC-BS-5
5.5			010257	VRC-BS-5.5
6			010249	VRC-BS-6
7			010250	VRC-BS-7
8			010251	VRC-BS-8
9			010252	VRC-BS-9
10			010253	VRC-BS-10
11			010254	VRC-BS-11
12			010255	VRC-BS-12

Bird Screen rolls into a standard Rain Cap



VENTINOX® Top Cover Plate

*A	B	C	Product Number	Part Number
3	13.0		010236	VTK-3-TP
4	13.0		010237	VTK-4-TP
5	13.0		010238	VTK-5-TP
5.5	13.0		010256	VTK-5.5-TP
6	13.0		010239	VTK-6-TP
7	13.0		010240	VTK-7-TP
8	13.0		010241	VTK-8-TP
9	18.0		010242	VTK-9-TP
10	18.0		010243	VTK-10-TP
11	18.0		010244	VTK-11-TP
12	18.0		010245	VTK-12-TP

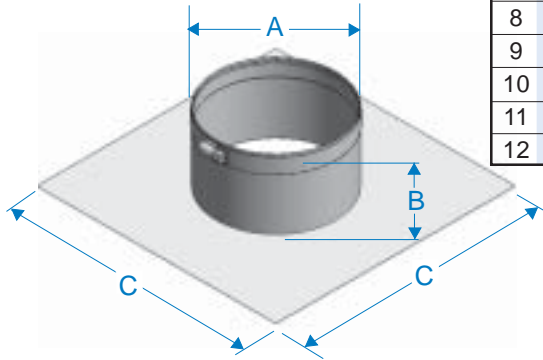


VENTINOX® Components

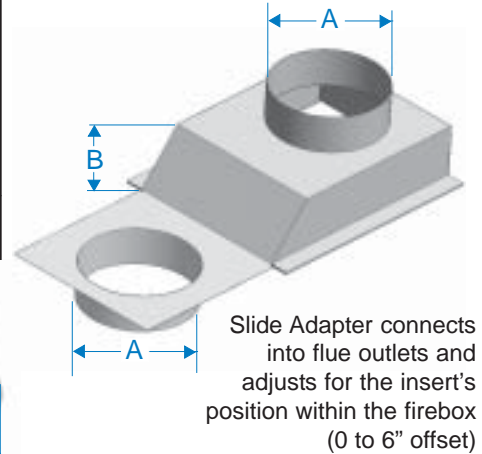
VENTINOX® Bottom Plate w/Collar				
*A	B	C	Product Number	Part Number
6	3.0	12 x 13	010190	VBPC-6
7	3.0	12 x 13	010191	VBPC-7
8	3.0	12 x 13	010192	VBPC-8
9	3.0	14 x 16	010193	VBPC-9

VENTINOX® Installation Cone				
*A	B	C	Product Number	Part Number
3			020196	VIC-3
4			020197	VIC-4
5			020198	VIC-5
5.5			020206	VIC-5.5
6			020199	VIC-6
7			020200	VIC-7
8			020201	VIC-8
9			020202	VIC-9
10			020203	VIC-10
11			020204	VIC-11
12			020205	VIC-12

VENTINOX® Offset Slide Adapter				
A	B	C	Product Number	Part Number
6	2.75		020526	FA-6
8	3.25		020528	FA-8



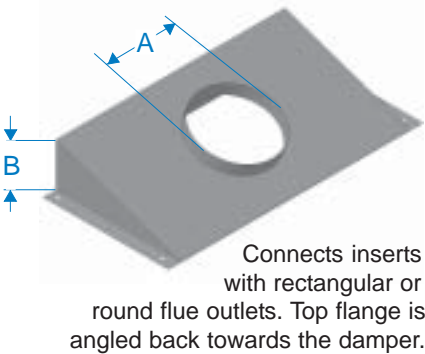
Reusable Installation Cone fits inside the liner



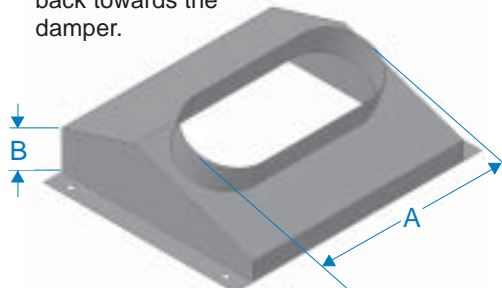
VENTINOX® Round Insert Boot				
A	B	C	Product Number	Part Number
6.5	3.5		020518	DCF-R6
8.5	3.5		020520	DCF-R8

VENTINOX® Oval Insert Boot				
A	B	C	Product Number	Part Number
11	3.25		020517	DCF-RO

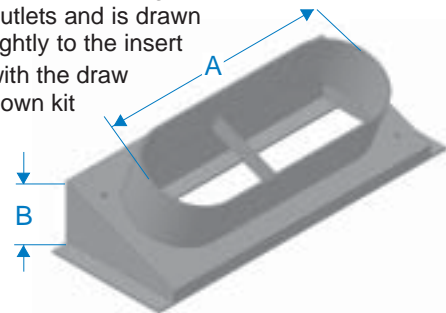
VENTINOX® Oval Adjustable Insert Boot				
A	B	C	Product Number	Part Number
11	3.5		020483	ICO-8
14	3.5		020484	ICO-10



Connects inserts with round flue outlets to oval connectors. Top flange is angled back towards the damper.



Fits over rectangular flue outlets and is drawn tightly to the insert with the draw down kit



VENTINOX® Flex Connectors

VENTINOX® Oval Flex Connectors		
Size	Product Number	Part Number
6" x 57"	010451	STO-657
6" x 48"	010452	STO-648
7" x 48"	010453	STO-748
7" x 57"	010454	STO-757
8" x 57"	010455	STO-857
8" x 48"	010456	STO-848
9" x 48"	010457	STO-948
10" x 48"	010458	STO-1048
10" x 57"	010459	STO-1057

If our standard kits do not meet your needs, ask us to custom package kits with the parts you would require. Simply select components listed and call us to put them in a box for you.

VENTINOX® Round to Oval Flex Connectors		
Size	Product Number	Part Number
6" x 48"	010436	RTO-648
6" x 57"	010437	RTO-657
7" x 57"	010438	RTO-757
8" x 48"	010439	RTO-848
8" x 57"	010440	RTO-857
10" x 57"	010441	RTO-1057

VENTINOX® Round to Oval Liner Adapters		
Size	Product Number	Part Number
6" x 6"	020465	VAD-66
6" x 7"	020466	VAD-67
6" x 8"	020467	VAD-68
7" x 8"	020468	VAD-78
8" x 8"	020469	VAD-88
8" x 9"	020470	VAD-89
8" x 10"	020471	VAD-810
9" x 10"	020472	VAD-910
10" x 10"	020473	VAD-1010

Round to Oval Flex Connector ▼



Oval Flex Connector ►

◀ Round to Oval Liner Adapter

VENTINOX® DIRECT CONNECT KITS

For Top Vented Stoves and Fireplace Inserts

For top venting stoves and fireplace inserts with 6" round outlets

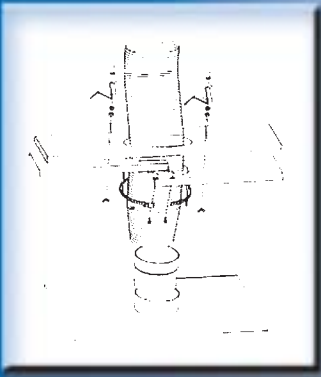
Includes: 6" x 48" Round to Oval Flex Connector, Connector Sealing Kit with installation hardware, and 6" Sleeve

RTA-6 Installation Kit with VCK

Product Number 010561

RTA-6 Installation Kit with VSK

Product Number 010565



For top venting stoves and fireplace inserts with 8" round outlets

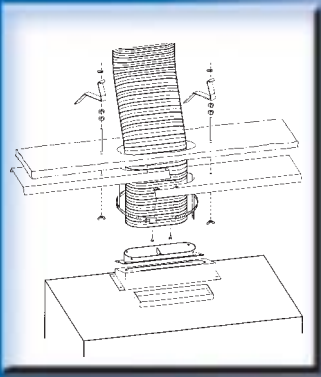
Includes: 8" x 48" Round to Oval Flex Connector, Connector Sealing Kit with installation hardware, and 8" Sleeve

RTA-8 Installation Kit with VCK

Product Number 010563

RTA-8 Installation Kit with VSK

Product Number 010567



For inserts with rectangular flue outlets requiring the equivalent to the area of a 5", 6" or 7" round flue

Includes: 8" x 48" Oval Flex Connector, Connector Sealing Kit with installation hardware, and ICO-8 Adjustable Insert Boot with Draw Down Kit

TVK-RE-8 Installation Kit with VCK

Product Number 010547

For inserts with rectangular flue outlets requiring the equivalent to the area of a 7" or 8" round flue

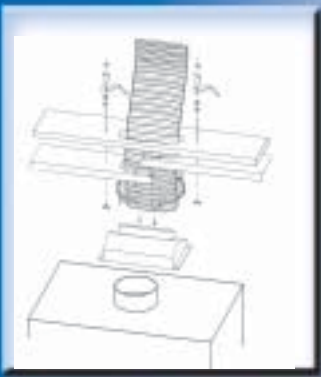
Includes: 10" x 48" Oval Flex Connector, Connector Sealing Kit with installation hardware, and ICO-10 Adjustable Insert Boot with Draw Down Kit

TVK-RE-10 Installation Kit with VCK

Product Number 010549

TVK-RE-10 Installation Kit with VSK

Product Number 010550

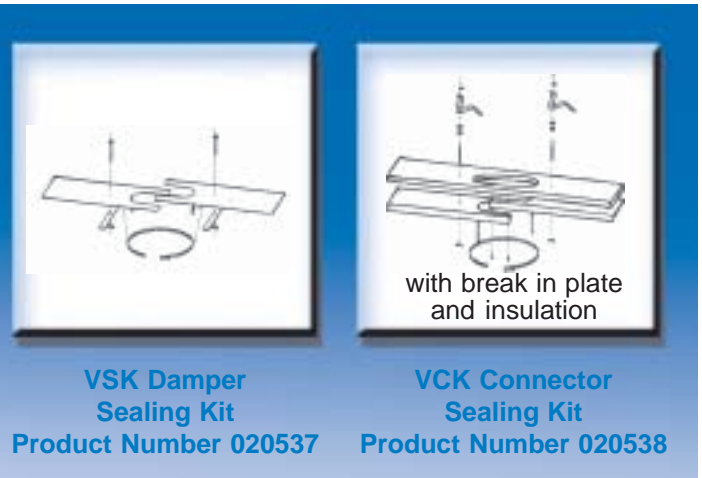


For Inserts with 5" to 8" round flue outlets

Includes: 8" x 48" Oval Flex Connector, Connector Sealing Kit with Installation Hardware, and DCF-RO Oval Insert Boot

TVK-RO Installation Kit with VCK

Product Number 010546



VSK Damper Sealing Kit

Product Number 020537

VCK Connector Sealing Kit

Product Number 020538

VENTINOX® DIRECT CONNECT KITS

For Rear Vented Stoves and Fireplace Inserts

For rear vented hearth sitting stoves with 6" flue collars

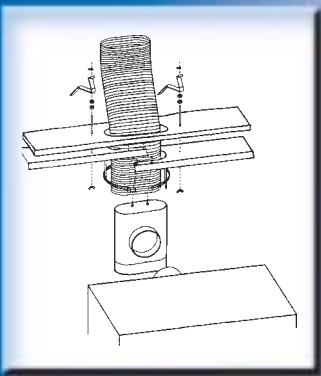
Includes: 7" x 48" Oval Flex Connector, Connector Sealing Kit with installation hardware, and 7" Oval Tee with 6" inlet flange and Tee Cap

RVK-6 Installation Kit with VCK

Product Number 010576

RVK-6 Installation Kit with VSK

Product Number 010577



For rear vented hearth sitting stoves with 8" flue collars

Includes: 9" x 48" Oval Flex Connector, Connector Sealing Kit with installation hardware, and 9" Oval Tee with 8" inlet flange and Tee Cap

RVK-8 Installation Kit with VCK

Product Number 010578

RVK-8 Installation Kit with VSK

Product Number 010579

CHIMNEY INSULATION

TherMix® The "Thermal Bridge" between Chimney Liners & Masonry.

TherMix® is a ready-mix, Vermiculite-based masonry material. After dampening with water, TherMix® is filled between a liner and masonry shell.

TherMix® cures into a lightweight, semi-hard mass that supports a liner within the chimney and forms a thermal barrier that keeps flue gases warm and exterior chimney surface temperatures within safe limits.

TherMix® fills voids and cracks in the masonry and thus strengthens the chimney structure. Airflow and moisture buildup between the liner and chimney is eliminated.



TherMix® is listed by Underwriters Laboratories, Inc. in combination with several brands and types of lining materials for use in applications where chimneys are in direct contact with framing or other combustible materials (**Zero Clearance**).

TherMix® insulation is available in bags or pre-boxed for UPS. A full pallet holds 40 bags, or 24 boxes. TherMix® yields 3.25 cubic foot per bag or box.

TherMix® Bag

Product Number 020597

TherMix® Box

Product Number 020600



ProFoil Chimney Liner Insulation

ProFoil is a flexible, durable 2 mil. thick aluminum foil faced, ceramic fiber blanket. ProFoil is used as an insulator for stainless steel liners in masonry chimneys. ProFoil is a UL Listed insulation component for the VENTINOX® Lining System.

ProFoil 22"x 25'

Product Number 020701

ProFoil 24"x 25'

Product Number 020703

ProFoil 29"x 25'

Product Number 020705

ProFoil 48"x 25'

Product Number 020707

ProMesh Stainless Steel Mesh

ProMesh - 304 stainless steel mesh slides over insulated liner. It's then stretched and clamped at the top and bottom to protect the ceramic blanket during installation. Economical 50' rolls give you less waste. Shrinks to fit liner when pulled lengthwise.

ProMesh comes in 50' lengths.

ProMesh Sm 3-6 **Product Number 020901**

ProMesh Lg 7-9 **Product Number 020903**

ProMesh X-Lg 10-12 **Product Number 020905**



AluFoil TAPE

AluFoil Tape seals seams of ProFoil insulation. 2 mil aluminum foil tape has strength and adhesion.

AluFoil Tape 3"x 150'

Product Number 020921

Customer Support

PTS prides itself on providing the best customer service and marketing support in the industry. Our Customer Support Team is available to answer technical questions, set up training seminars, request literature, assist with marketing plans and much more. Please call us Monday-Friday at **1.800.766.3473** or e-mail support@protechinfo.com.

Marketing Support

Our Marketing Department is here to help us all succeed. We have a large selection of literature, direct mail postcards, ad slicks, promotional t-shirts, hats and much more. Take advantage of our co-op advertising program and we'll even help you design the ad, target a direct mail project or come up with creative sales promotions. Call us anytime to request free literature and discuss marketing opportunities available to you.

Training

PTS offers a variety of technical and sales training opportunities, specializing in venting applications for heating appliances, chimney liners and codes & standards. We will be happy to set up training seminars for you, your contractors and your sales force. Please call our Customer Support Team for details.

VENTINOX® Chimney Lining System

For venting natural draft, Category I Heating Equipment.

VENTINOX® is a proven winner with an unblemished track record in Europe & the US. The Liner is strong due to its unique welded seam, flexibility & light weight. The quality of VENTINOX® parts is unmatched; they attach to the liner with a built in drawband.



THE RIGHT PARTS

Universal Take-off allows for connecting heaters anywhere into a VENTINOX® liner

Tees with 8" long, removable snout

Reusable Installation Cone fits inside the liner

Rain Cap with built in Storm Collar saves \$\$ and time

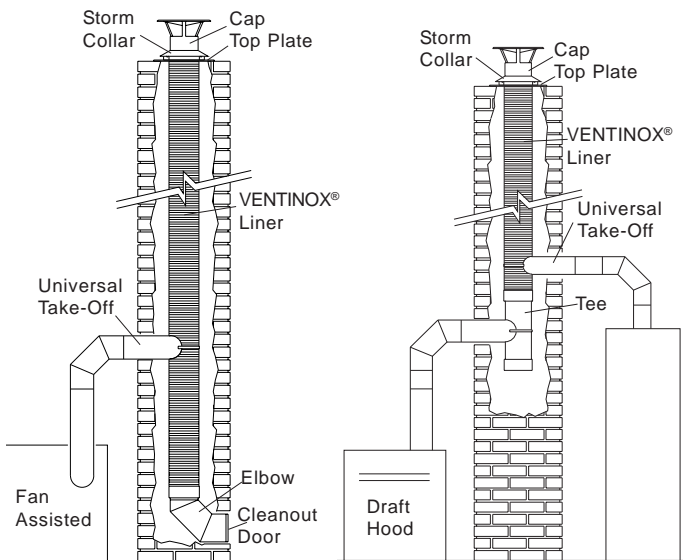
FEATURES

- Unique continuous-weld construction
- Precision-engineered spiral corrugations
- Tested and listed by Underwriters Laboratories to UL1777 at Zero Clearance to Combustibles
- Backed by a lifetime warranty
- Proudly made in the U.S. since 1979
- Exclusive FasClamp components offer the easiest, fastest installation

BENEFITS

- Strength and flexibility due to the unique welded seam.
- Keeps carbon monoxide within the flue.
- Protects flue from deposits and corrosive condensates.
- Helps create a stronger chimney draft.
- Eliminates condensate leakage.
- Bends to fit around obstructions and offsets in the flue.
- Can be shaped without kinking, breaking, or losing its gas-tightness.
- Remains stable even after a chimney fire.
- Corrugations absorb multi-directional expansion eliminating heating and cooling stresses on the liner.
- Proven to be safe and effective in thousands of American homes since 1979.
- Provides peace of mind to professional installers.
- Recognized and approved by home-heating experts and building code officials.
- Material certificates for consistent product quality and uniform reliability.

Available in 3"-12" Diameters



Chimney Insulation

TherMix® Vermiculite-based Insulation:

- **Insulates** to keep flue gases warm and outside temperatures within safe limits.
- **Adds reliable and consistent performance** when flue surface temperatures are balanced and react quickly to firing cycles of heating units.
- **Adds safety** by reducing the risk of a chimney fire.
- **Reinforces** by providing the mass that bonds a liner and the existing chimney into a stronger unit.
- **No health risks** to the installer and homeowner.
- **Durable** when properly installed, TherMix® does not leak, separate, or deteriorate.
- **Time saving** prepackaged ingredients in correct proportions. Proper consistency to place in minutes.
- **Cost effective** with no waste, good shelf life, consistent volume yield, and no shrinkage all mean lower overall installation costs.
- **Time tested**, TherMix® has been serving Chimney Professionals and their customers since 1984!

ProFoil Liner Insulation:

- **Flexible** aluminum foil faced, ceramic fiber blanket.
- **Adds performance** by helping the chimney liner to warm up quickly to promote draft.
- **Insulates** to keep flue gases warm and outside temperatures within safe limits.



PROTECH SYSTEMS, INC.
LEADERS IN VENTING TECHNOLOGY

400 South Pearl Street • Albany, NY 12202

518.463.7284 • Fax: 518.463.5271

1.800.766.3473

sales@protechinfo.com • www.protechinfo.com